


**FLEXLOCK**




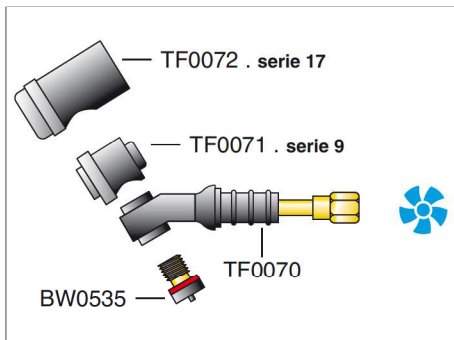
CE EN60974-7

CODE	↔	⚡	⏏
------	---	---	---

HD2407-00	4 m	12.5'	dual	 TSK 50-1/4G
HD2807-00	8 m	25'	dual	
HD7407-00	4 m	12.5'	multi	
HD7807-00	8 m	25'	multi	
HI2407-00	4 m	12.5'	dual	
HI2807-00	8 m	25'	dual	
HI7407-00	4 m	12.5'	multi	
HI7807-00	8 m	25'	multi	

	⚡	V PEAK	⚡	Ø	X 35%
--	---	--------	---	---	-------

	FLEXLOCK 9	113	Argon	0,5÷1,6 mm	150 DC
	FLEXLOCK 9	113	Argon	0,5÷1,6 mm	150 DC
	FLEXLOCK 9	113	Argon	0,5÷1,6 mm	150 DC
	FLEXLOCK 9	113	Argon	0,5÷1,6 mm	150 DC
	FLEXLOCK 17	113	Argon	0,5÷2,4 mm	130A DC
	FLEXLOCK 17	113	Argon	0,5÷2,4 mm	130A DC
	FLEXLOCK 17	113	Argon	0,5÷2,4 mm	130A DC
	FLEXLOCK 17	113	Argon	0,5÷2,4 mm	130A DC



FOR ALL CONSUMABLES SEE PAGE 469

### FLEXLOCK




CE EN60974-7

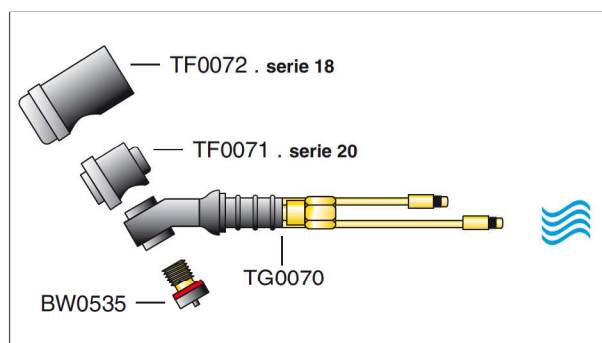


CODE	↔	⚡	⚡
------	---	---	---

	⚡	V PEAK	⚡	Ø	X 100%	⚡	⚡
--	---	--------	---	---	--------	---	---

HT2410-00	4 m	12.5'	dual	 TSK 50-1/4G
HT2810-00	8 m	25'	dual	
HT7410-00	4 m	12.5'	multi	
HT7810-00	8 m	25'	multi	
HX2410-00	4 m	12.5'	dual	
HX2810-00	8 m	25'	dual	
HX7410-00	4 m	12.5'	multi	
HX7810-00	8 m	25'	multi	

FLEXLOCK 18	113	Argon	0,5÷4,0 mm	0,5÷4,0 mm	4 bar	1,5 l/m
FLEXLOCK 18	113	Argon	0,5÷4,0 mm	0,5÷4,0 mm	4 bar	1,5 l/m
FLEXLOCK 18	113	Argon	0,5÷4,0 mm	0,5÷4,0 mm	4 bar	1,5 l/m
FLEXLOCK 18	113	Argon	0,5÷4,0 mm	0,5÷4,0 mm	4 bar	1,5 l/m
FLEXLOCK 20	113	Argon	0,5÷3,2 mm	0,5 ÷ 3,2 mm	4 bar	1,5 l/m
FLEXLOCK 20	113	Argon	0,5÷3,2 mm	0,5 ÷ 3,2 mm	4 bar	1,5 l/m
FLEXLOCK 20	113	Argon	0,5÷3,2 mm	0,5 ÷ 3,2 mm	4 bar	1,5 l/m
FLEXLOCK 20	113	Argon	0,5÷3,2 mm	0,5 ÷ 3,2 mm	4 bar	1,5 l/m



FOR ALL CONSUMABLES SEE PAGE 469